

Sanitary Dry Diaphragm Pressure Gauge

CATALOG No. 2012

Model 881D

New!

All gauges in this series ensure **sanitary** and **safety** pressure measuring in the food, pharmaceutical and cosmetics industries.

What if sealed fluid leaks into the production line?

No silicon oil or glycerine is sealed in the diaphragm.
So, no worry about sealed fluid leaking into the products even if the pressure-receiving part is broken by an accident during plant operation.

A wide scale angle of **270°**.

Superior in temperature characteristics to the sealed-liquid type.

A **sanitary** pressure-receiving part that has been treated by electropolishing.



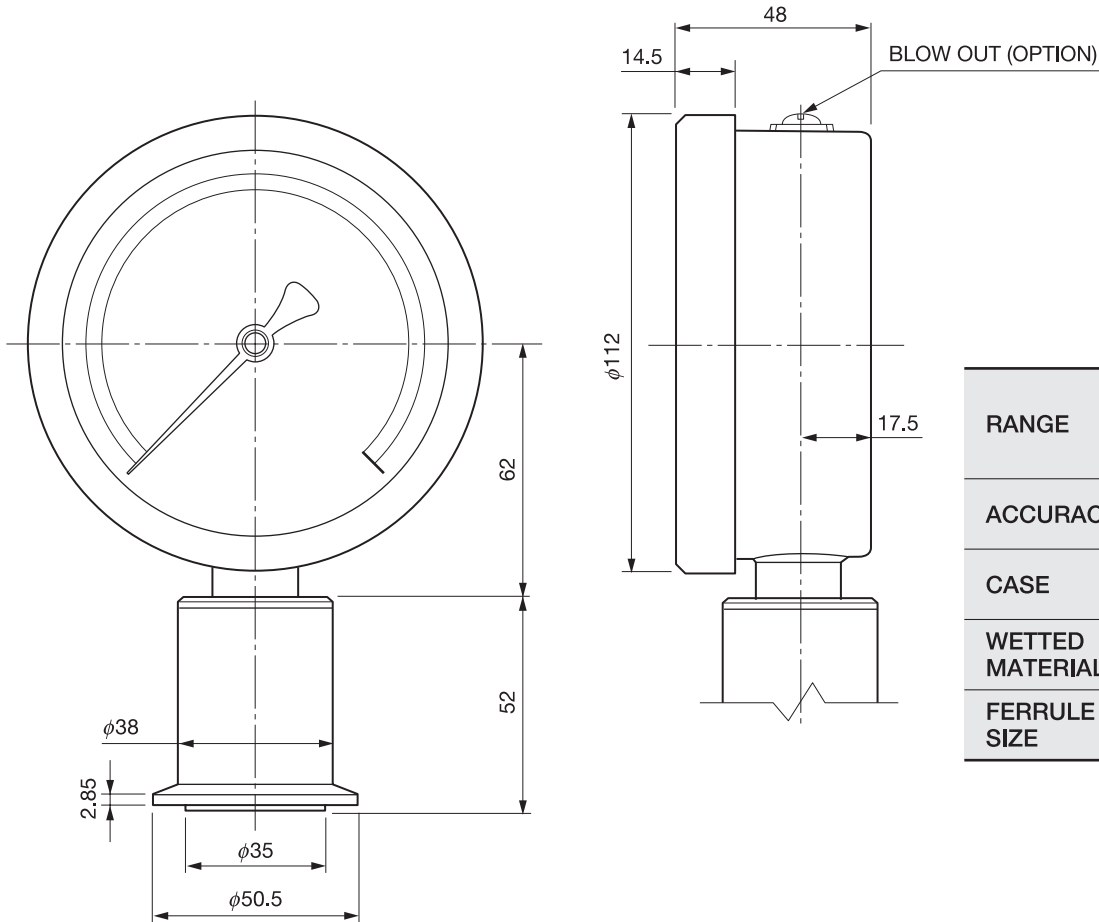
Another innovation from Asahi Gauge.

A new gauge with a diaphragm that's dry!



ASAHI GAUGE MFG. CO., LTD.
JAPAN

Outside dimensions



RANGE	0~0.4MPa 0~0.6MPa 0~1.0MPa
ACCURACY	±2.5%F.S.
CASE	MATERIAL: SUS FINISH: STOCK
WETTED MATERIAL	SUS316L
FERRULE SIZE	1-1/2S 10A (development)

Application

Ideal for food, pharmaceutical, cosmetics and other industries that give priority to cleanness and safety.

Features

1 Clean and safe

- No worry about sealed-liquid leaking into the production line even if the pressure-receiving part is broken because no sealed-liquid is used.
- The wet part is made of stainless steel. This prevents the quality and flavour of the liquid being measured from deterioration.
- No trapped or stagnant fluid in the gauge.

2 Easy cleaning

- The waterproof case can be washed with strong shower or hot water.

3 Usable in high temperature

- Temperature drift is less than the conventional liquid-sealed version.

When ordering

Please specify the following:

Type	Range	Pressure-receiving part	Size
881D	0.4	J1	100
	0.4MPa	J1 (Ferrule)	
	0.6MPa	J1.5 (Ferrule)	
	1.0MPa	J2 (Ferrule)	
		L1 (Box nut)	
		L1.5 (Box nut)	
		L2 (Box nut)	

Note: These specifications may be changed for improvements without notice.